

## INSTALLATION AND OPERATING INSTRUCTIONS

2-jaw parallel gripper with long  
stroke, pneumatic

GHK6000

DDOC00313

THE KNOW-HOW FACTORY

**Content**

- 1 Supporting documents ..... 3
  - 1.1 Notices and graphics in the installation and operating instructions ..... 3
- 2 Safety notices ..... 4
- 3 Proper use ..... 5
- 4 Personnel qualification ..... 5
  - 4.1 Electricians ..... 5
  - 4.2 Specialists ..... 5
  - 4.3 Instructed personnel ..... 5
  - 4.4 Service personnel ..... 5
  - 4.5 Additional qualifications ..... 5
- 5 Product description ..... 6
  - 5.1 Type plate ..... 6
- 6 Functional description ..... 6
- 7 Technical data ..... 6
- 8 Accessories/scope of delivery ..... 6
- 9 Transportation/storage/preservation ..... 6
- 10 Installation ..... 7
  - 10.1 Installing the product ..... 8
  - 10.2 Installing the energy supply ..... 9
  - 10.3 Installing the sensors ..... 10
    - 10.3.1 Adjusting the magnetic field sensors ..... 10
    - 10.3.2 Setting the inductive sensors ..... 10
  - 10.4 Installing accessories ..... 10
- 11 Maintenance ..... 11
- 12 Decommissioning/disposal ..... 11
- 13 REACH declaration ..... 12
- 14 Declaration of Incorporation ..... 13

## 1 Supporting documents

### NOTICE



Read through the installation and operating instructions before installing or working with the product.

The installation and operating instructions contain important notes for your personal safety. They must be read and understood by all persons who work with or handle the product during any phase of the product lifetime.



The documents listed below are available for download on our website [www.zimmer-group.com](http://www.zimmer-group.com).

- Installation and operating instructions
  - Catalogs, drawings, CAD data, performance data
  - Information on accessories
  - Technical data sheets
  - General Terms and Conditions, including warranty information.
- ⇒ Only those documents currently available on the website are valid.

In these installation and operating instructions, "product" refers to the product designation on the title page!

### 1.1 Notices and graphics in the installation and operating instructions

#### DANGER



This notice warns of an imminent danger to the life and health of people. Ignoring these notices can lead to serious injury or even death.

- ▶ You absolutely must comply with the described measures for avoiding these dangers!
- ⇒ The warning symbols are assigned according to the type of danger.

#### WARNING



This notice warns of a situation that is potentially hazardous to personal health. Ignoring these notices can cause serious injury or damage to health.

- ▶ You absolutely must comply with the described measures for avoiding these dangers!
- ⇒ The warning symbols are assigned according to the type of danger.

#### CAUTION



This notice warns of a situation that is potentially hazardous to persons. Ignoring these notices can cause minor, reversible injuries.

- ▶ You absolutely must comply with the described measures for avoiding these dangers!
- ⇒ The warning symbols are assigned according to the type of danger.

#### NOTICE



This notice warns of possible material and environmental damage. Ignoring these notices can result in damage to the product or the environment.

- ▶ You absolutely must comply with the described measures for avoiding these dangers!
- ⇒ The warning symbols are assigned according to the type of danger.

#### INFORMATION



This category contains useful tips for handling the product efficiently. Failure to observe these tips will not result in damage to the product. This information does not include any information relevant to health or workplace safety.

## 2 Safety notices

### WARNING



#### Risk of injury due to objects being ejected

Certain components are under constant spring tension. When removing certain components, springs can spring out uncontrollably and cause serious injuries.

- ▶ Do not open the housing of the clamping element.

### CAUTION



#### Risk of injury and material damage in case of non-compliance

The product is state-of-the-art.

The following are examples of situations in which the product may cause a hazard:

- The product is not properly installed, used or maintained.
- The product is not used for its designated purpose.
- The locally applicable regulations, laws, directives or guidelines are not observed.
- ▶ The product may only be used in accordance with these installation and operating instructions and the product's technical data. Any changes or additions to the intended use of the product, as well as modifications to the product, such as those in the following examples, require the written permission of the manufacturer:
  - Use of the product under extreme conditions, such as aggressive fluids or abrasive dusts
  - Additional drilled holes or threads
- ⇒ Zimmer GmbH shall accept no liability for any damage caused by improper use. The operator bears sole responsibility.
- ▶ Make sure that the power supply is disconnected before you mount, adjust, modify, maintain or repair the product.
- ▶ Whenever work is carried out on the product, make sure that the product cannot be actuated by mistake.
- ▶ Perform maintenance tasks, renovation work or attachment work outside of the machine's danger zone when possible.
- ▶ Do not reach into the operational range of the product.
- ▶ Observe the specified maintenance intervals and specifications regarding the quality of the operating material.
- ▶ When using the product under extreme conditions, adjust the maintenance interval according to the degree of contamination.
- ▶ Check the completeness and tightening torques of all mounting screws.

### 3 Proper use

#### NOTICE



#### Material damage and malfunction in case of non-compliance

The product is only to be used in its original state with its original accessories, with no unauthorized changes and within the stipulated parameter limits and operating conditions.

Any other or secondary use is deemed improper.

- ▶ Operate the product only in compliance with the associated installation and operating instructions.
  - ▶ Operate the product only when it is in a technical condition that corresponds to the guaranteed parameters and operating conditions.
- ⇒ Zimmer GmbH shall accept no liability for any damage caused by improper use. The operator bears sole responsibility.

- The product is designed exclusively for pneumatic operation.
- The product is not suitable for clamping workpieces during a machining process.
- The product is to be used as intended in enclosed rooms for temporary gripping, handling and holding.
- Direct contact with perishable goods/food is not permitted.

### 4 Personnel qualification

#### WARNING



#### Inadequate qualification can cause injury and material damage

If inadequately qualified personnel perform work on the product, this can cause serious injuries and significant material damage.

- ▶ All work on the product must be performed by qualified personnel.
- ▶ Before working with the product, read the document in its entirety and make sure that you have understood everything.
- ▶ Observe country-specific accident prevention regulations and the general safety notices.

The following qualifications are a prerequisite for performing various work on the product.

#### 4.1 Electricians

Electricians are able to perform work on electrical systems, can recognize and avoid possible dangers and know the relevant standards and provisions due to their technical training, knowledge and experience.

#### 4.2 Specialists

Specialists are able to perform the assigned work, can recognize and avoid possible dangers and know the relevant standards and provisions due to their technical training, knowledge and experience.

#### 4.3 Instructed personnel

Instructed personnel have been trained by the operating company on the tasks and possible dangers of improper behavior.

#### 4.4 Service personnel

Service personnel are able to perform the assigned work and can recognize and avoid possible dangers due to their technical training, knowledge and experience.

#### 4.5 Additional qualifications

Persons who work with the product must be familiar with the valid safety regulations and laws as well as the standards, guidelines and laws listed in this document.

Personnel who work with the product must have facility-issued authorization to commission, program, configure, operate, maintain and also decommission this product.

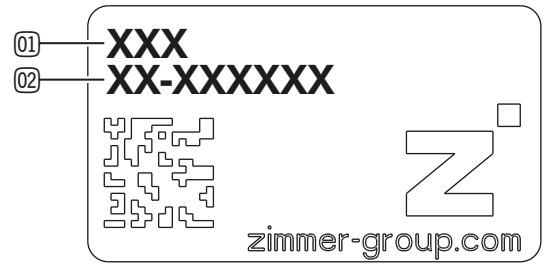
## 5 Product description

### 5.1 Type plate

A type plate is attached to the product.

The article number and the confirmation number are shown on the type plate.

- ① Article number
- ② Confirmation number



## 6 Functional description

The product has a double-acting pneumatic rotor cylinder.

Alternating ventilation sets the piston in motion.

The motion is synchronized using a rack and a pinion and directly causes the a gripper jaw to move.

The clamping element is closed in the de-energized state to maintain the jaw position in case of a pressure drop. The clamping element opens when it is supplied with compressed air.

## 7 Technical data

### INFORMATION



- ▶ You can find the information in the technical data sheet on our website.
- This data varies within the series, depending on the specific design.
- ▶ Please contact Customer Service if you have any questions.

## 8 Accessories/scope of delivery

### INFORMATION



- If any accessories not sold or authorized by Zimmer GmbH are used, the function of the product cannot be guaranteed. Zimmer GmbH accessories are specifically tailored to the individual products.
- ▶ For optional accessories and those included in the scope of delivery, refer to our website.

## 9 Transportation/storage/preservation

- ▶ Transport and storage of the product must be done only with the original packaging.
- ▶ If the product has already been installed on the superordinate machine unit, care must be taken during transport to ensure that no unexpected movements can occur.
  - ▶ Before commissioning the product and after transport, check all power and communication connections as well as all mechanical connections.
- ▶ If the product is stored for an extended period, the following points are to be observed:
  - ▶ Keep the storage location as dust-free and dry as possible.
  - ▶ Avoid temperature fluctuations.
  - ▶ Avoid wind/drafts/water condensation formation.
  - ▶ Pack the product and do not expose it to direct sunlight during storage.
- ▶ Clean all components. There must be no soiling left on the components.
- ▶ Visually inspect all components.
- ▶ Remove all foreign substances.
- ▶ Properly remove potential corrosion spots.
- ▶ Close off unused connections using pressure-resistant closures.

## 10 Installation

### WARNING



#### Risk of injury due to uncontrolled movements

Risk of injury in case of unexpected movement of the machine or system into which the product is to be installed.

- ▶ Switch off the energy supply of the machine before any work.
- ▶ Secure the power supply against being switched on unintentionally.
- ▶ Check the machine for any residual energy that may be present.
- ▶ For spring-assisted products, wait until the gripper jaws reach the end position with the system depressurized.

### CAUTION



#### Risk of injury due to uncontrolled movements

Risk of injury in the event of uncontrolled movement of the product when the power supply is connected.

- ▶ Switch off the power supply to the machine before carrying out any work.
- ▶ Secure the power supply against being switched on unintentionally.
- ▶ Check the machine for any residual energy that may be present.

### INFORMATION



Further installation information:

- The mounting screws are not included in the scope of delivery.

#### Assembly requirements

Permissible flatness tolerance [mm]	Mounting surface length [mm] ≤ 100	0.02
	Mounting surface length [mm] > 100	0.05
Strength class of the mounting screws	8.8	

- ▶ Install the product on an appropriate mounting surface in accordance with the flatness specifications.
- ▶ Make sure that the mounting piece is sufficiently rigid.
- ▶ Ensure the cleanliness of the connection surfaces.
- ▶ Please note the permitted tightening torques of the mounting screws at [www.zimmer-group.com/en/td](http://www.zimmer-group.com/en/td).

## 10.1 Installing the product

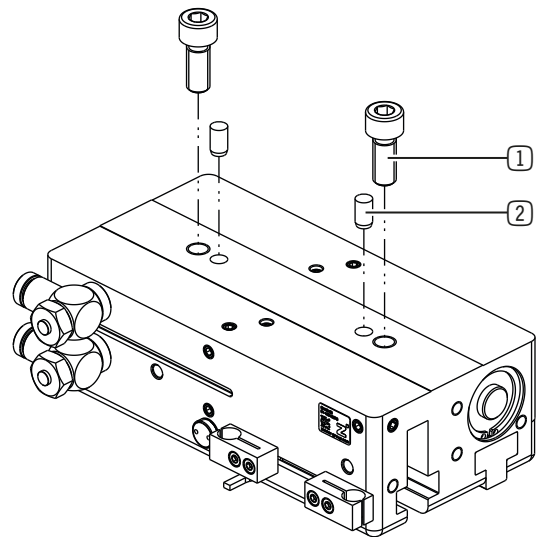
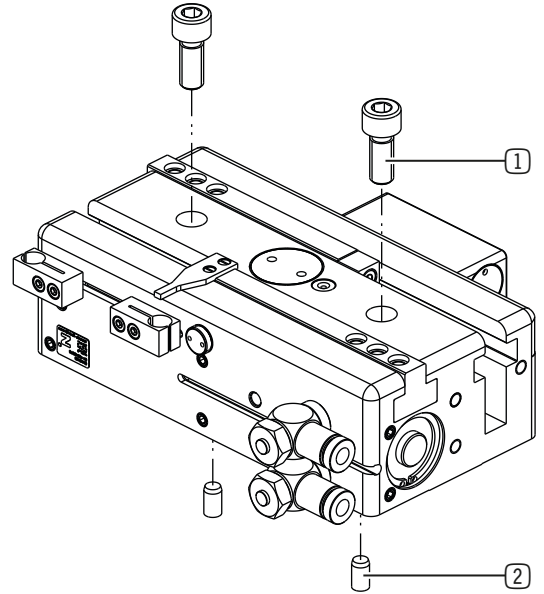
### INFORMATION



- ▶ Use an adapter plate if necessary.
- ▶ For information on optional accessories and those included in the scope of delivery, refer to our website.

The product can be installed from multiple sides.

- ▶ Insert the straight pins into the designated fits on the product.
- ▶ Position the product on the mounting piece with the straight pins.
- ▶ Mount the product on the mounting piece using the appropriate mounting screws.



- ① Mounting screw
- ② Straight pins



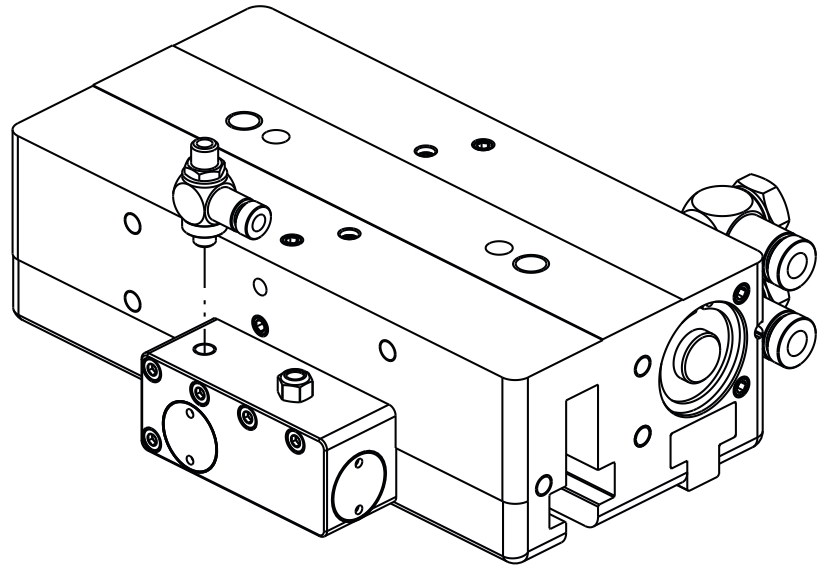
## 10.2 Installing the energy supply

### NOTICE

**Non-compliance may result in material damage.**

- ▶ You can find the information in the technical data sheet on our website.
- ▶ Close off unused connections using pressure-resistant closures.
- ▶ The authorized connections that are available can be found in the accessories list on our website. The necessary ordering information can also be found there.
- ▶ Use compressed air in accordance with DIN ISO 8573-1 [7:4:4].

- ▶ Remove the seal.
- ▶ Mount the screw fitting in the provided connection.



## 10.3 Installing the sensors

### 10.3.1 Adjusting the magnetic field sensors

#### NOTICE



#### Material damage caused by magnetic influences

- ▶ Note that switching point shifts may occur if the sensors are exposed to an additional, external magnetic field.

#### INFORMATION

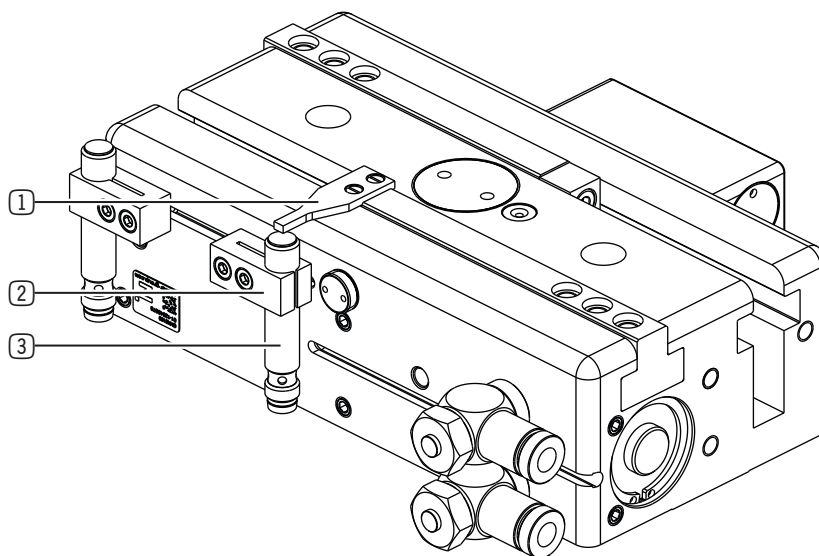


The sensors are available as accessories.

- ▶ More information can be found in the installation and operating instructions of the sensor.

### 10.3.2 Setting the inductive sensors

- ▶ Switch off the power supply.
- ▶ Slide the sensor into the terminal block.
- ▶ Position the sensor at an appropriate switching distance from the switch cam.
- ▶ Clamp the sensor.



- ① Switch cam
- ② Terminal block
- ③ Inductive sensor

## 10.4 Installing accessories

#### NOTICE



#### Non-compliance may result in material damage.

- ▶ Before installing an accessory, make sure it is suitable for use with the selected variant.
- ▶ You can find information on our website.
- ▶ Please contact Customer Service if you have any questions.

## 11 Maintenance

### NOTICE



#### Material damage resulting from blowing out with compressed air

Blowing out the product with compressed air can cause malfunctions.

- ▶ Never purge the product with compressed air.

### NOTICE



#### Material damage caused by unsuitable cleaning materials

Liquid and solvent-based cleaning agents can cause malfunctions.

- ▶ Do not clean the product with any cleaning agents that are liquid or contain solvents.

### NOTICE



#### Material damage due to leaking lubricant

Excessive lubrication can cause moving machine parts to leak lubricant. This can cause soiling of the machine, the workpiece and the environment.

- ▶ Only use approved or recommended lubricants.
- ▶ Observe the manufacturer information for use of specific lubricants.
- ▶ Adhere to the lubrication interval.
- ▶ Avoid excessive lubrication.
- ▶ Remove leaking lubricant immediately and thoroughly.
- ▶ Replace damaged seals.

Maintenance-free operation of the product is guaranteed for up to 10 million cycles.

▶ Note that the product could become damaged under the following circumstances:

- Operation with impermissible compressed air
- Dirty environment
- Improper use and use that does not comply with the performance data
- Permissible temperature range not observed
- ▶ Even though the product is maintenance-free as mentioned above, perform a regular visual inspection to check for any damage or contamination.
- ▶ Have maintenance work that requires disassembly of the product performed by customer service only.
- ⇒ Dismantling and reassembling the product without authorization may result in complications, as special installation equipment is required in some cases. Zimmer GmbH accepts no liability for any resulting malfunctions or damage.

## 12 Decommissioning/disposal

### INFORMATION



When the product reaches the end of its operational phase, it can be completely disassembled and disposed of.

- ▶ Disconnect the product completely from the power supply.
- ▶ Dispose of the components properly according to the material groups.
- ▶ Comply with the locally applicable environmental and disposal regulations.

### 13 REACH declaration

In terms of the EC Regulation 1907/2006

**Name and address of the manufacturer:**

**Zimmer GmbH**

📍 Im Salmenkopf  
77866 Rheinau, Germany

☎ +49 7844 9138 0

✉ [info@zimmer-group.com](mailto:info@zimmer-group.com)

🌐 [www.zimmer-group.com](http://www.zimmer-group.com)

REACH stands for **R**egistration, **E**valuation, **A**uthorisation and **R**estriction of **C**hemicals.

A full declaration of REACH can be obtained from the manufacturer due to the duty to notify in accordance with Art. 33 of the REACH regulation (“Duty to communicate information on substances in articles”).

Michael Hoch  
Authorized representative for the  
compilation of relevant technical  
documents

Rheinau, Germany, 2019-09-02  
(Place and date of issuance)



Martin Zimmer  
(Legally binding signature)  
Managing Partner

## 14 Declaration of Incorporation

In terms of the EU Machinery Directive 2006/42/EC (Annex II 1 B)

### Name and address of the manufacturer:

#### Zimmer GmbH

 Im Salmenkopf  
 77866 Rheinau, Germany  
 +49 7844 9138 0  
 [info@zimmer-group.com](mailto:info@zimmer-group.com)  
 [www.zimmer-group.com](http://www.zimmer-group.com)

We hereby declare that the incomplete machine described below

**Product designation:** 2-jaw parallel gripper with long stroke, pneumatic

**Type designation:** GHK6000

conforms to the requirements of the Machinery Directive, 2006/42/EC, Article 2g, Annex VII, b – Annex II, b, in its design and the version we put on the market.

Basic health and safety requirements:

No. 1.1.2, No. 1.1.3, No. 1.1.5, No. 1.3.2, No. 1.3.4, No. 1.3.7, No. 1.5.3, No. 1.5.4, No. 1.6.4, No. 1.7.1, No. 1.7.4

A full list of applied standards can be obtained from the manufacturer.

We also declare that the specific technical documents were produced in accordance with Annex VII Part B of this Directive. We undertake to provide the market supervisory bodies with electronic versions of special documents for the incomplete machine through our documentation department, should they have reason to request them.

**The incomplete machine may only be commissioned if it has been ascertained, if applicable, that the machine or system in which the incomplete machine is to be installed satisfies the requirements of Directive 2006/42/EC on Machinery and an EC Declaration of Conformity has been drawn up in accordance with Annex II 1 A.**

Kurt Ross

Authorized representative for the compilation of relevant technical documents

Rheinau, Germany, 2019-01-14

(Place and date of issuance)



Martin Zimmer  
(Legally binding signature)  
Managing Partner