

2-JAW PARALLEL GRIPPERS WITH LONG STROKE

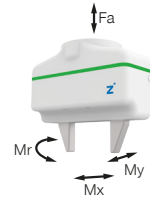
HRC-01-072819

▶ PRODUCT SPECIFICATIONS



▶ Forces and moments

Displays static forces and moments that can also have an effect, besides the gripping force.



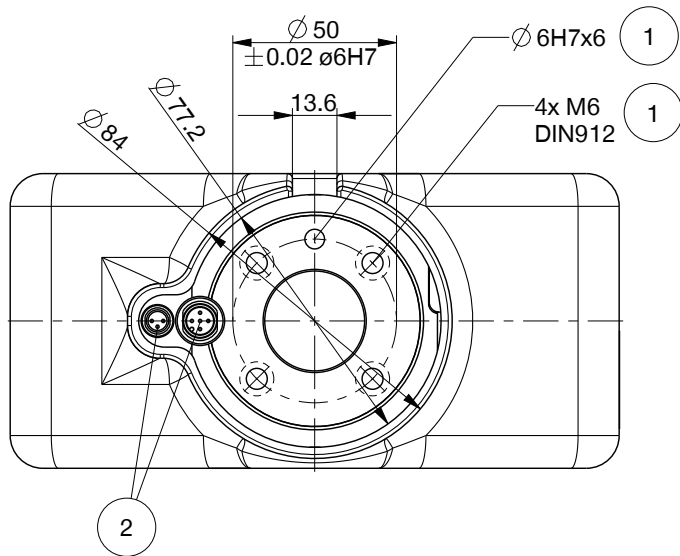
Mr [Nm]	35
Mx [Nm]	35
My [Nm]	35
Fa [N]	500

▶ TECHNICAL DATA

Order no.	Technical data
Suitable for robot type	UR5
HRC design according to ISO/TS 15066	Yes
HRC form	collaborative
Integrated safety jaws	Yes
Cable management	external
Safety function	STO
Type of drive	electrical
Control	IO-Link
Stroke per jaw [mm]	60
Stroke per jaw, adjustable [mm]	60
Gripping force safety device	Yes
Gripping force max. [N]	120
Gripping force in accordance with ISO/TS 15066 [N]*	<140
Control time [s]	0.1
Permissible weight per jaw max [kg]	0.3
Jaw speed in force mode max. [mm/s]	60
Jaw speed in positioning mode max. [mm/s]	60
Repetition accuracy +/- [mm]	0.05
Operating temperature min. [°C]	5
Operating temperature max. [°C]	+50
Protection to IEC 60529	IP40
Weight [kg]	1.8

* Value based on the parameters described in the ISO/TS 15066, determined with a force measuring device certified by the DGUV (German Social Accident Insurance)

▶ TECHNICAL DRAWINGS



- ① Gripper attachment
- ② Energy supply
- ③ Fixing for gripper finger

